

# Franklin®

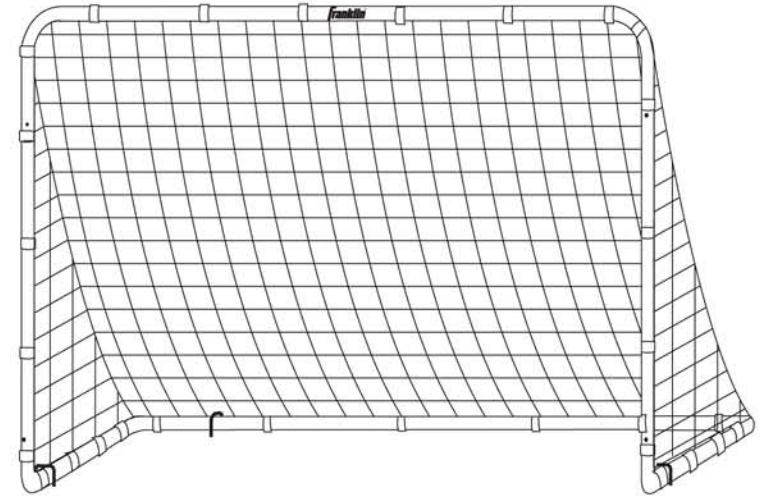
## NO. 5660

### SOCCKER GOAL

SIZE: 6ft Wide x 4ft High x 3ft Deep  
(1.83m x 1.22m x 91.4cm)

#### BEFORE ASSEMBLY:

- Work on a smooth, flat surface.
- Lay out all components so they are in easy reach.
- Read assembly instructions completely to familiarize yourself with the components.



#### Step Assembly Instructions

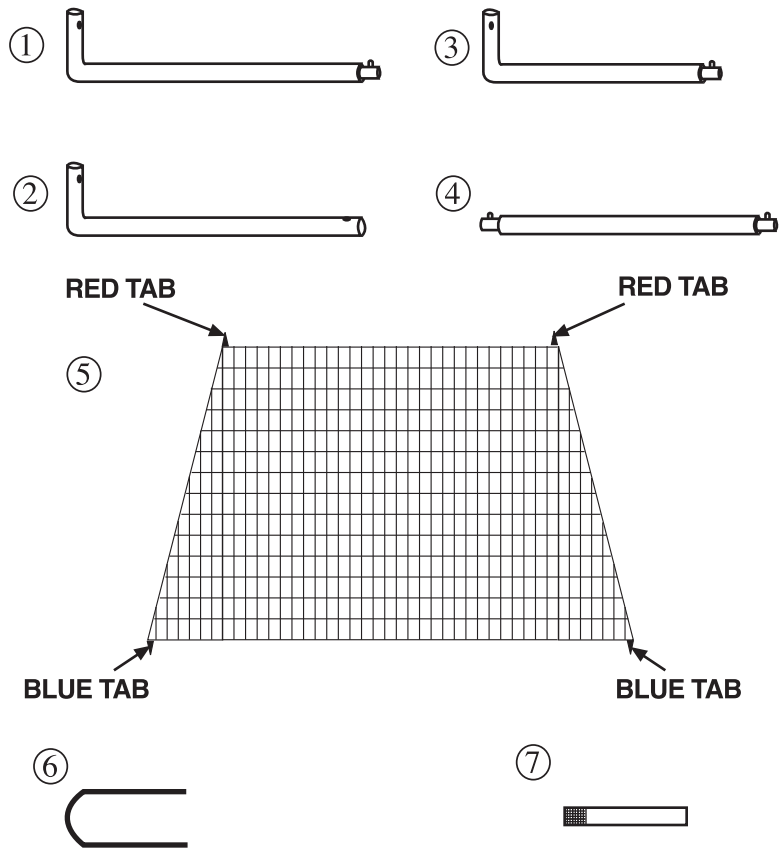
1. The net has been designed with red tabs to identify the top corners and blue tabs to identify the bottom corners. Follow the numbered sequence to attach the net.
2. Using the self-stick closure strips, tie the top corners first which are identified by the two red tabs. Refer to ① & ②.
3. Using the self-stick closure strips, tie the front bottom corners which are identified by the two blue tabs. Refer to ③ & ④.
4. Stretch the net and using the self-stick closure strips, tie the back bottom corners. Refer to ⑤ & ⑥.
5. Attach self-stick closure strips as follows:  
4 on the top ⑦, 3 on the sides ⑧, 2 on the base ⑨, and 4 on the base ⑩ as show.

This goal is designed to provide many hours of enjoyment if properly assembled and used only for the purpose intended.



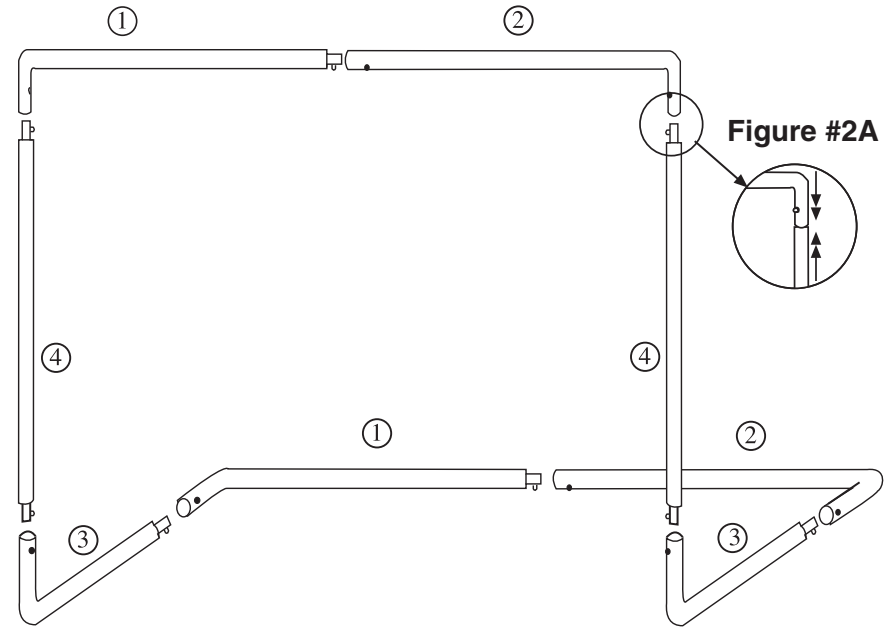
Adult supervision is recommended when the goal is used by children.

**Figure #1 FRAME COMPONENTS**



**Figure #2 FRAME ASSEMBLY**

Assemble all lengths of tubing as shown in Figure #1. Be sure that the piece is inserted completely. The ends of each tube insert tightly and are secured when the press button of the tapered end pops through the adjoining perforated tube. (Refer to Figure #2A.)



PART	QTY	DESCRIPTION	
①	2	L Shape Tube	8 1/4in x 37 1/4in (press button on tapered end)
②	2	L Shape Tube	8 1/4in x 37 1/4in (perforated end)
③	2	L Shape Tube	8 1/4in x 30in (press button on tapered end)
④	2	Straight Tube	36in (press button on both tapered ends)
⑤	1	Mesh Net	168in x 60in x 4in (4in x 4in)
⑥	4	U Shape Ground Stake	8in
⑦	30	Self-Stick Closure Strips	8in x 3/4in

**Step Assembly Instructions**

1. Assemble the first set of tubes as parts ① & ②. This will create the back base.
2. Insert tapered tubes part ③ to the back base.
3. Insert tapered tubes part ④ as shown into the upward reaching section of tubes part ③.
4. After assembling the second set of tubes parts ① & ②, place these on the tapered sections of the tubes part ④ to complete the frame assembly.