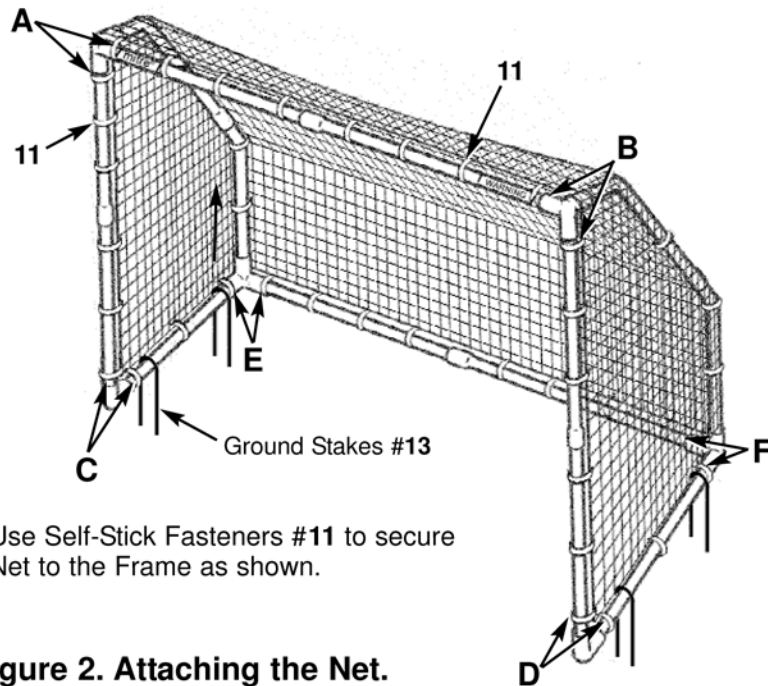


3. Continue to secure the Net to the Frame spacing the fasteners #11 evenly around the Frame using the quantities at the locations shown in Figure 2.
4. Press the Ground Stakes #13 over the base of the Frame and into the ground to secure the Goal in place.



Use Self-Stick Fasteners #11 to secure Net to the Frame as shown.

Figure 2. Attaching the Net.

*The Soccer Goal is now ready for play or practice!*

**WARNING:**

ADULT SUPERVISION IS REQUIRED AT ALL TIMES WHEN GOAL IS USED BY CHILDREN.

**NEVER** LET CHILDREN CLIMB ON GOAL AS THIS CAN RESULT IN GOAL FALLING OVER CAUSING SERIOUS INJURY OR DEATH.

TO REDUCE RISK OF ENTANGLEMENT, KEEP SMALL CHILDREN AWAY FROM NET AREA AT ALL TIMES.

WHEN PROPERLY ASSEMBLED AND USED AS INTENDED, THIS GOAL IS DESIGNED TO PROVIDE MANY HOURS OF PLAYING ENJOYMENT.

# mitre<sup>®</sup> SOCCER GOAL

Model 89653

## ASSEMBLY INSTRUCTIONS

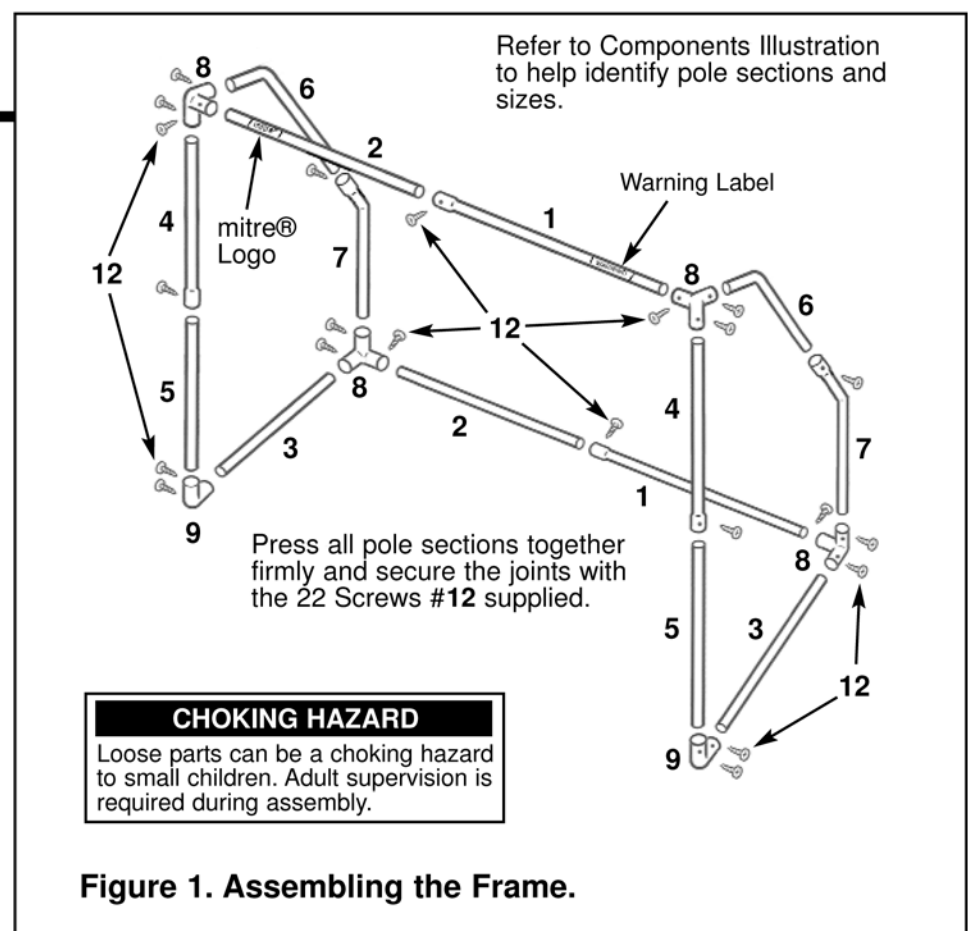
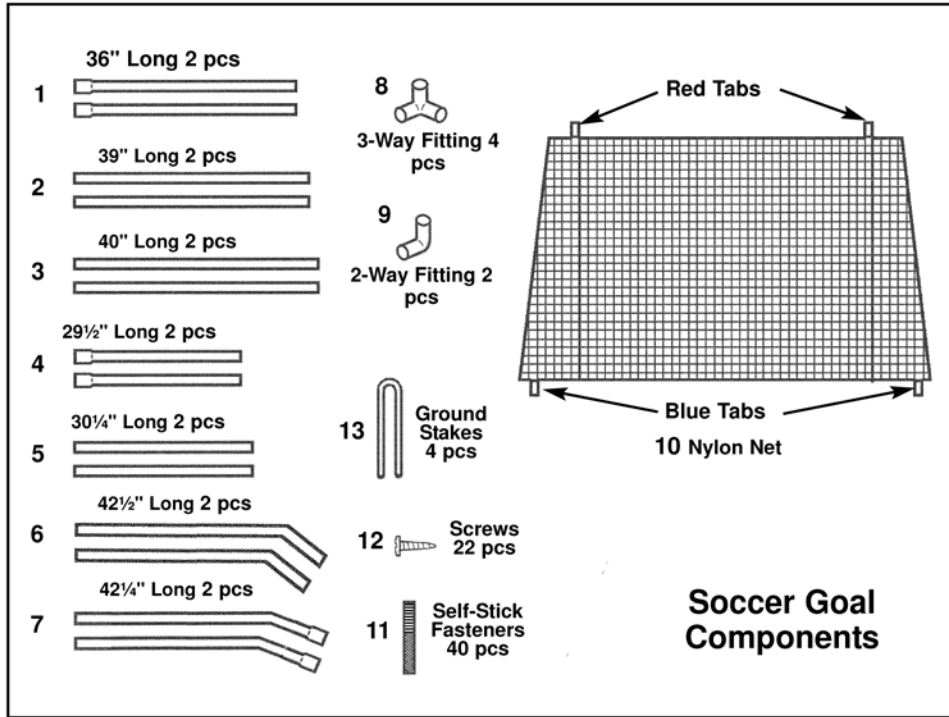


Thank you for purchasing our MITRE Soccer Goal. To simplify the assembly, please read the following instructions before beginning. It will be helpful to have an additional person assist in the assembly process.

# mitre® SOCCER GOAL

## ASSEMBLY INSTRUCTIONS

MODEL 89653



### ASSEMBLING THE FRAME

#### Step 1.

1. Insert one Pole #2 into one Pole #1 and press one 3-Way Fitting #8 onto each end of the Pole assembly #2-1 to form the rear of the frame's base section #8-2-1-8 as shown in Figure 1.
2. Repeat Step 1 for the remaining Poles #1, #2 and 3-Way Fittings #8 to form the top section #8-2-1-8 of the frame.
3. Insert one Pole #3 into the 3-Way Fittings #8 on the base assembly #8-2-1-8 to complete the sides of the frame's base section.
4. Press one 2-Way Fitting #9 onto each pole #3 with the open ends facing upward. This completes the base and top sections of the frame.

#### Step 2.

1. Insert one Pole #5 into each open end of the 2-Way Fittings #9 and press one Pole #4 onto each Pole #5.
2. Attach the top assembly #8-2-1-8 to the poles #4 as shown in Figure 1.

3. Assemble the rear frame supports #6-7 by inserting the #6 Poles into the #7 Poles and insert the ends of the #6-7 assemblies into the 3-Way Fittings #8 as shown.
4. Press all the joints together firmly and screw the 22 Screws #12 through the pre-drilled holes in the joints as shown. This completes the Soccer Goal frame assembly.

### ATTACHING THE NET

#### Step 3.

1. Drape the Net over the Frame making sure the top of the Net (indicated by the two red tabs) is draped over the top of the Frame. Secure the Net top to the Frame using 2 Self-Stick Fasteners #11 at each corner of the Net. See Figure 2 locations A and B.
2. Stretch the bottom of the Net around the back of the Frame and secure the front corners (indicated by the two blue tabs) to the bottom front of the Frame. See Figure 2 locations C and D. Then secure locations E and F.